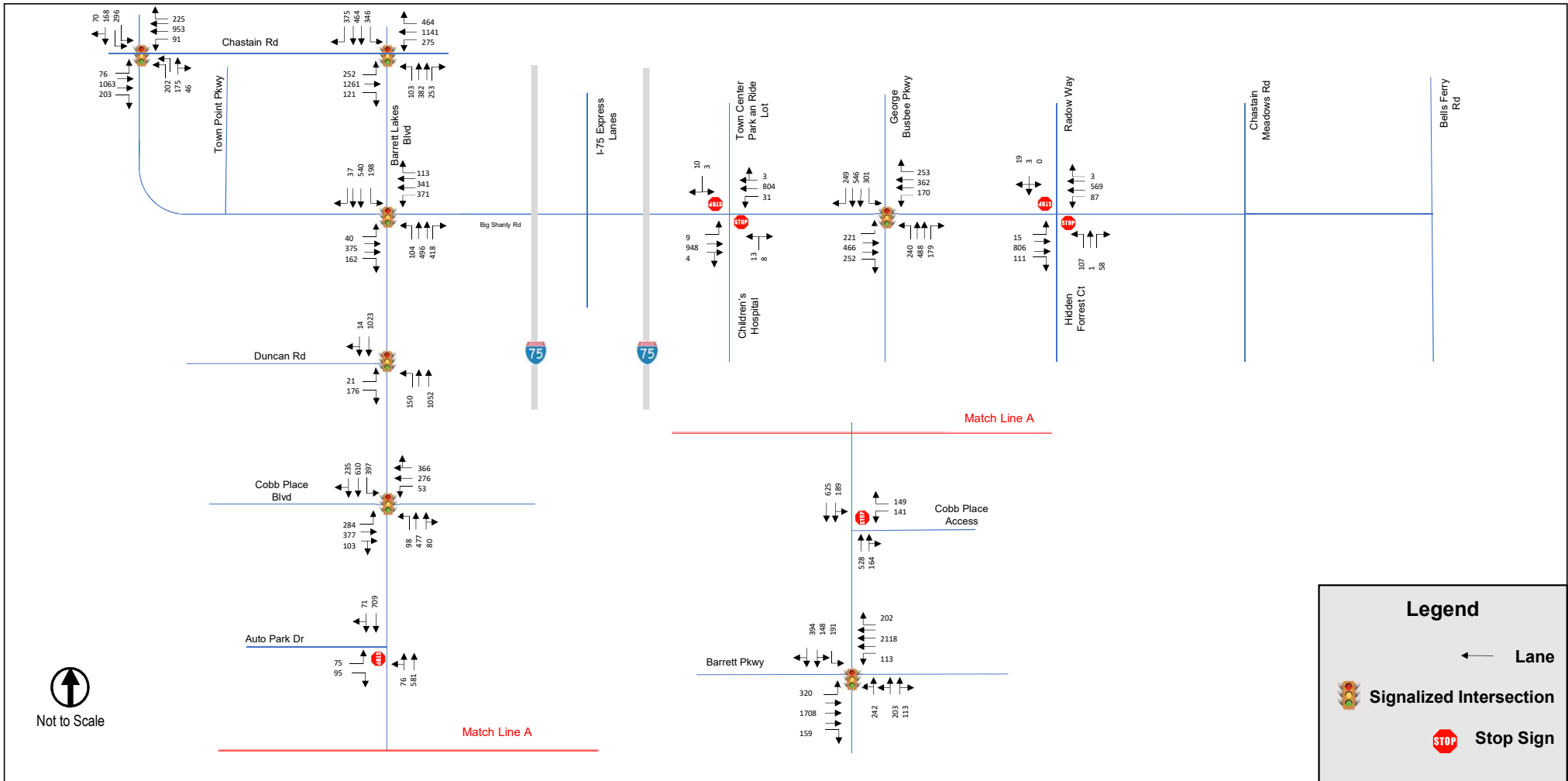


**POND**

**TCCID Corridor Study  
Kennesaw, Georgia**

**2040 PM  
Daily Hourly Volumes (DHV)**

**Figure  
1**



Not to Scale

**Legend**

- Lane
- Signalized Intersection
- Stop Sign



TCCID Corridor Study  
Kennesaw, Georgia

2040 Noon  
Daily Hourly Volumes (DHV)

Figure  
1